

EQUIP. TYPE R390A/U.R.R. DES. NO.

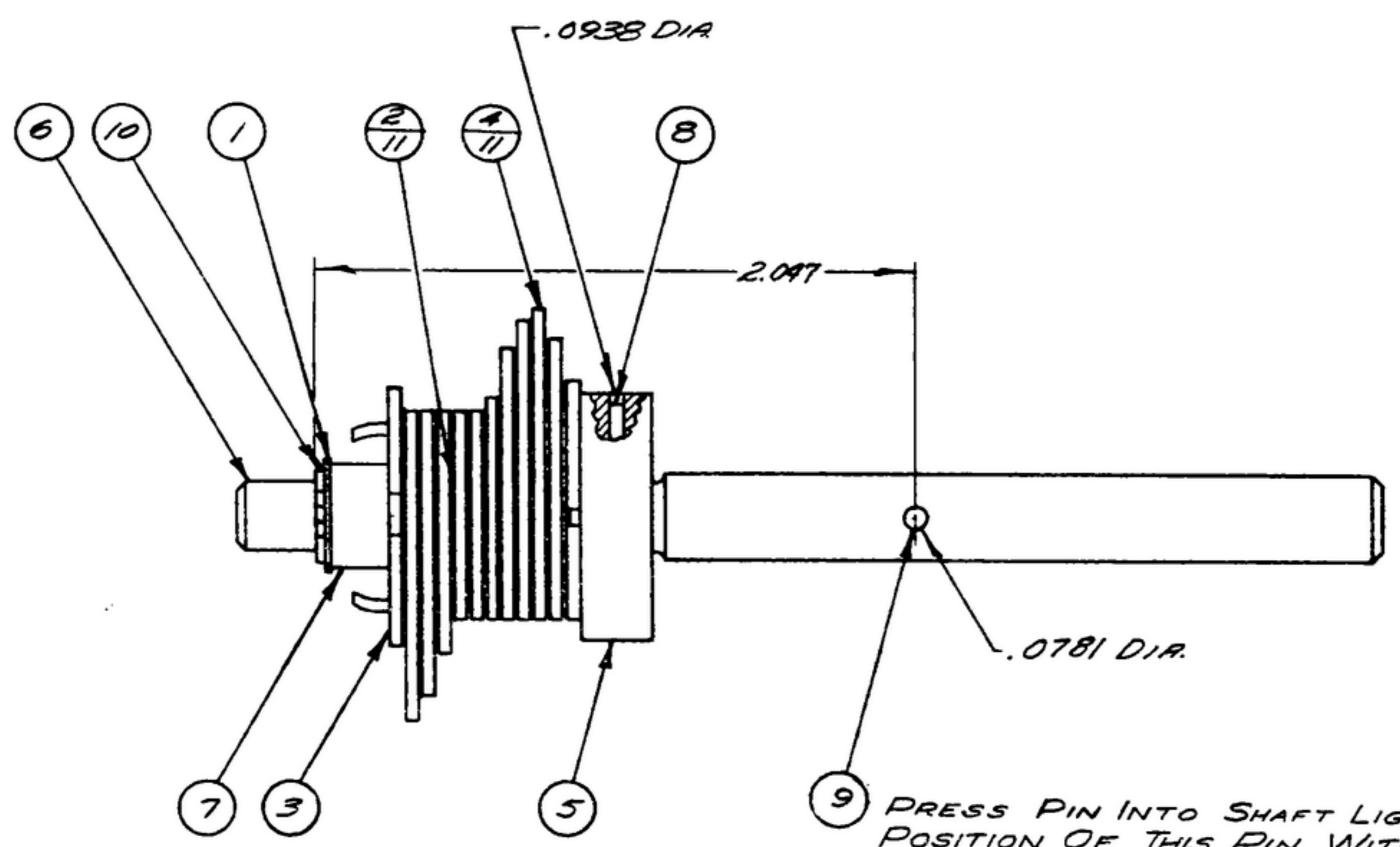
COL. 540-7521-002

NOTICE: WHEN GOVERNMENT DRAWINGS, SPECIFICATIONS, OR OTHER DATA ARE USED FOR ANY PURPOSE OTHER THAN IN CONNECTION WITH A SPECIFICALLY RELATED SUPPLY, THE UNITED STATES GOVERNMENT THEREBY INCURS NO RESPONSIBILITY AND NO WARRANTY (WHATEVER) AND THE FACT THAT THE GOVERNMENT MAY HAVE FURNISHED, PROVIDED, OR IN ANY WAY SUPPLIED THE SAID DRAWINGS, SPECIFICATIONS, OR OTHER DATA IS NOT TO BE CONSIDERED BY CONTRACTOR OR OPERATOR, OR OTHERWISE ANY RIGHTS OR OBLIGATIONS TO INFRINGE, VIOLATE, OR BE HELD LIABLE THEREBY.

THIS DRAWING HAS BEEN FORWARDED BY THE GOVERNMENT AND MAY BE REPRODUCED AND USED IN CONNECTION WITH ANY GOVERNMENT PURCHASE OR SERVICE CONTRACT.

\* FOR INFORMATION ONLY, CONTRACTOR MAY AT HIS OPTION DEVIATE FROM THESE PROCESS DETAILS.

REVISIONS			
SYM	DESCRIPTION	DATE	APPROVAL



9 PRESS PIN INTO SHAFT LIGHTLY POSITION OF THIS PIN WITH RESPECT TO GROOVE PIN (8) UNIMPORTANT.

- NOTES:
1. ASSEMBLE ITEMS 1, 2, 3, 4, 5, 6, 7, 8, 9, 10 SNUG AGAINST RING (10) & SECURE USING PIN (8) AS SHOWN.
  2. BUSHING (7) TO BE DELETED IN NEXT ASSY.
  3. THIS ASSY MUST WITHSTAND 6 FT LBS OF TORQUE ON SHAFT WITH THE RINGS LOCKED IN BOTH DIRECTIONS WITHOUT DEFORMATION OR SLIPPAGE.
  4. IN ALL SPLIT BALLOONS TOP FIGURE IS MATERIAL LIST ITEM INDICATOR & BOTTOM FIGURE IS QUANTITY.

COLLINE PART NO.	ITEM	QTY	PART NO.	DESCRIPTION	MATL	MATL SPEC	NOTES
558 0267 002	10	1	SM-B-283171-1	RING-RETAINING			
558 0245 002	9	1	SM-B-283161	PIN			
558 0244 002	8	1	SM-B-283160	PIN			
558 0285 002	7	1	SM-B-248936	BUSHING SPECIAL			2
558 0250 002	6	1	SM-B-248881	SHAFT TUNING			
558 0221 002	5	1	SM-B-248873	COLLAR STOP ASSY			
558 0218 002	4	11	SM-B-248870	WASHER STOP			
558 0217 002	3	1	SM-B-248869	STOP TUNING SHAFT			
558 0215 002	2	11	SM-B-248867	WASHER			
558 0046 002	1	1	SM-B-178411	WASHER			

LIST OF MATERIAL COLLINE PART NO. 558 0309 003

DRAWN <i>Hamer</i>		CHECKED <i>ll</i>	APPROVED	COLLINE PART NO. <u>14214-PH-51-93</u>		DEPARTMENT OF THE ARMY SIGNAL CORPS ENGINEERING LABORATORIES FORT MONMOUTH NEW JERSEY  <u>SM-C-248960</u>
UNLESS OTHERWISE SPECIFIED: DECIMAL DIMENSIONS INCLUDING HOLE SIZES MAY VARY ±.008 FRACTIONAL DIMENSIONS INCLUDING HOLE SIZES MAY VARY ±1/64 MACHINED ANGLES MAY VARY ±.1° SHEARED ANGLES MAY VARY ±.25° BROKEN ANGLES MAY VARY ±.1° ECCENTRICITY BETWEEN ANY DIAMETERS ON THE SAME CENTERLINE SHALL NOT EXCEED .010 TOTAL INDICATOR READING. ALL DIMENSIONS ARE FINISH DIMENSIONS INCLUDING APPLIED FINISH AND ARE GIVEN IN INCHES.		REVIEWED <i>FME</i>		SIGNAL CORPS		
COLLINE NO. <u>558 0324 004</u>		QTY	NEXT ASSY	APPROVED <i>HLV</i>	SCALE <u>2/1</u>	
APPLICATION			USED ON	DATE <u>20 Dec 55</u>		

WHEN REFERRING TO THIS DRAWING STATE DRAWING NO., APPLICABLE ISSUE SYMBOL, IF ANY, AND DATE